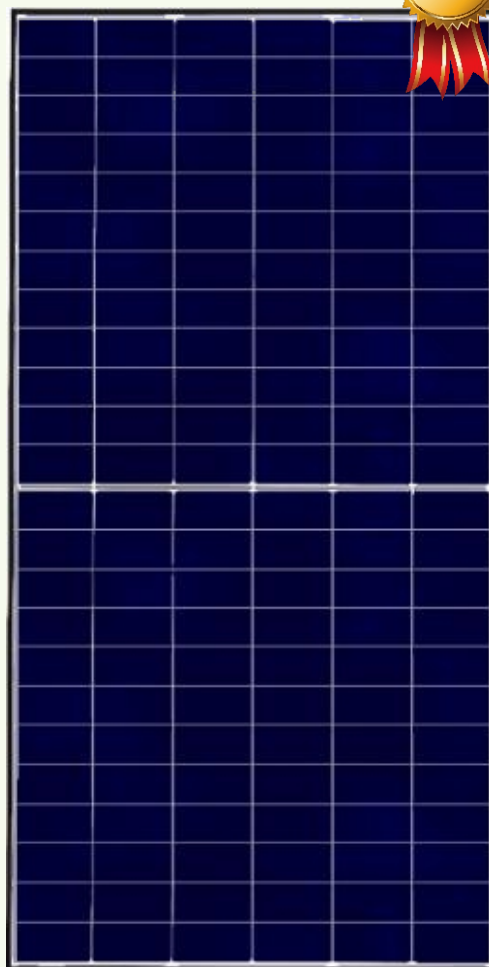


ANDROMEDA 2.0

High Efficiency Series SPICN6(LDF)-72/BIH

490W | 495W | 500W



产品特性 FEATURES

- 正面无栅线设计，外观典雅
No busbar on front side, elegant appearance
- N型电池片，无光致衰减
N-type solar cell has no LID naturally
- 弱光响应更好
Better weak illumination response
- 组件高功率，降低LCOE
Higher module power, lower system LCOE
- 温度系数更低
Better Temperature Coefficient
- 更高安全性，热斑温度低
High safety, lower hot spot temperature
- 降低阴影遮挡损耗
Lower shadow-blocking loss



国家电投集团

国家电投集团在2023年财富世界500强中排名中位列第262位，是一家大型的综合能源企业，在全球范围内持有包括水电、火电、核电、光伏、风电等资产，总计超过200GW，其中光伏电站持有量超过68GW(截至2023年上半年)，连续多年全球第一。

About SPIC Group

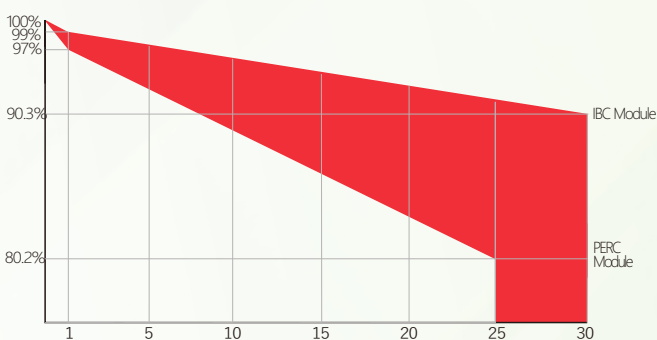
State Power Investment Corporation (SPIC)- FORTUNE GLOBAL 500 company, ranking 262nd in 2023, one of the integrated energy group in China that holds assets of hydropower, thermal power, nuclear power and new energy simultaneously. Hold and operate over 68GW photovoltaic projects, ranking first in the world (As of end 2023H1).



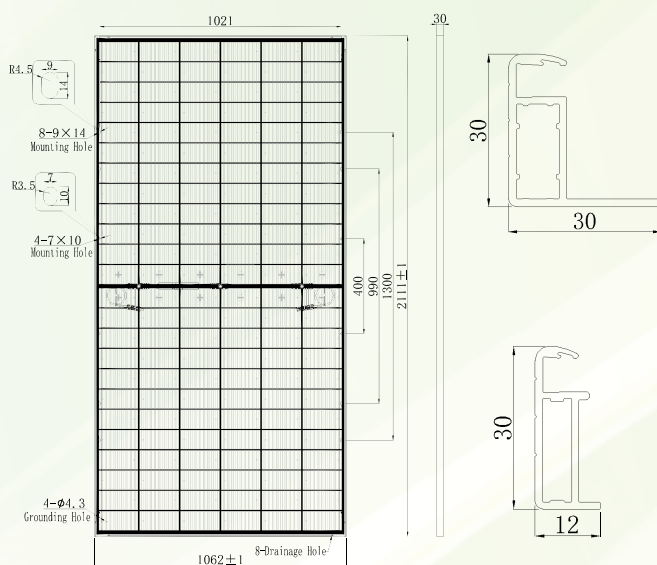
电性能参数 Electrical Parameters

组件效率 Module Type	SPICN6(LDF)-72-490/BIH		SPICN6(LDF)-72-495/BIH		SPICN6(LDF)-72-500/BIH	
	STC	NOCT	STC	NOCT	STC	NOCT
峰值功率 Maximum Power (Pmax/W)	490	369	495	373	500	357
最大功率电压 Maximum Power Voltage (Vmpp/V)	42.9	39.8	43.1	40.0	43.3	40.2
最大功率电流 Maximum Power Current (Impp/A)	11.42	9.28	11.49	9.34	11.55	9.39
开路电压 Open Circuit Voltage (Voc/V)	50.4	48.2	50.6	48.4	50.8	48.6
短路电流 Short Circuit Current (Isc/A)	12.31	9.85	12.39	9.91	12.47	9.98
组件效率 Module Efficiency	21.9%		22.1%		22.3%	

附加价值 Additional Value



组件尺寸 Dimensions(Units:mm)



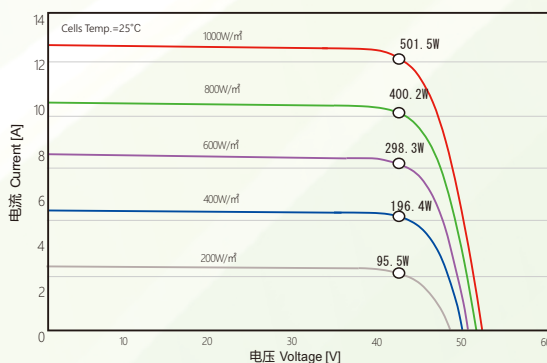
运行状况 Operating Properties

最大系统电压 Maximum System Voltage	1500V DC (IEC)
最大额定电流 Maximum Rated Current	20A
运行温度 Operational Temperature	-40~+85°C
静态机械载荷 Static Mechanical Load	5400/2400 Pa
动态机械载荷 Dynamic Mechanical Load	1000 Pa, 1000 cycle

机械性能 Mechanical Properties

电池类型 Cell Type	N型IBC 170x85mm (半片) N-IBC 170x85mm(Half-Cell)
电池数量 No. of Cells	144 (12 × 12)
接线盒 Junction Box	防护等级IP68 (3个二极管) IP68 Rated (3diodes)
缆线 Cables	TÜV 1x4mm²,1200mm (或定制设计) TÜV 1x4mm²,1200mm (Or Custom Design)
组件玻璃 Glass	2.0mm 半钢化玻璃 2.0mm, Half Tempered Glass
连接器 Connector	MC4兼容 (或定制设计) MC4 Compatible (Or Custom Design)
组件尺寸 Dimension	2111×1062×30mm
组件重量 Weight	23.6±0.5kg

电流-电压曲线 I-V Curves(500W)



温度系数 Temperature Characteristics (STC)

Pmax	%/°C	-0.290
Voc	%/°C	-0.246
Isc	%/°C	+0.046

包装信息 Packaging Configuration

每托组件数 No. of Per Pallet/Packing Type	EA	35
40ft高柜包含托数 No. of Pallets Per 40ft HQ container	EA	22
40ft高柜包含组件数 No. of Modules Per 40ft HQ container	EA	770



青海黄河上游水电开发有限责任公司西宁太阳能电力分公司
QINGHAI HUANGHE HYDROPOWER DEVELOPMENT CO., LTD. XINING SOLAR POWER BRANCH
青海省西宁市城东区金硅路4号
No.4 Jingui Road, Chengdong District, Xining City, Qinghai Province, China
spicsolar.com
spicsolar@spic.com.cn

本产品规格书如有任何更改，恕不另行通知。
最终解释权归国家电投黄河公司西宁分公司所有

Product specifications are subject to change without notice

© 2024 SPIC Solar Power Branch. All rights reserved